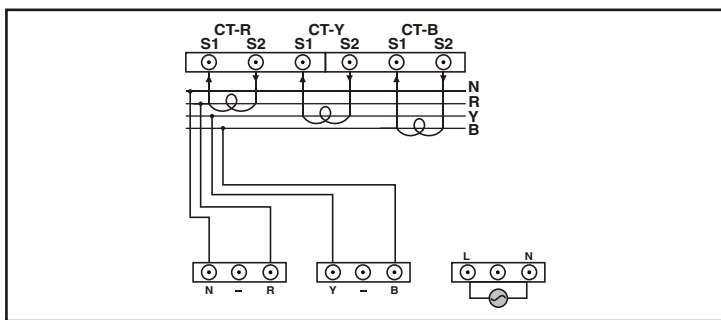




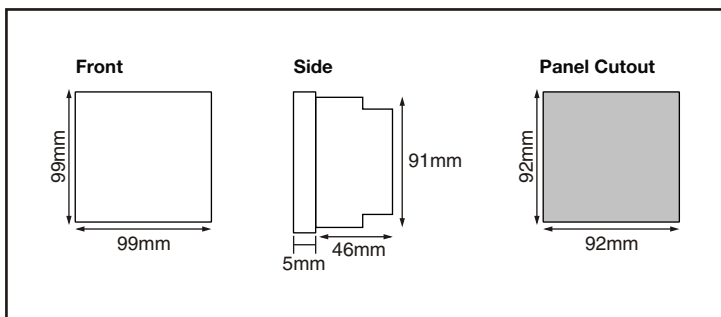
### Ordering Information

MFM309

### Terminal Connections



### Dimensions (in mm)



### Technical Specifications

<b>Display</b>	7 segment LED; Height: 0.5"
<b>Digits</b>	3 rows of 3 digits
<b>Input Type</b>	3 Ø-4 wire & 1 Ø - 2 wire
<b>Rated Input Current</b>	5A max.
<b>Display Scrolling</b>	Auto / manual
<b>Resolution*</b>	0.01, 0.1, 1 (depending on CT Primary)
<b>Frequency</b>	1) 50 Hz 2) 60 Hz
<b>CT Primary</b>	5 to 5000 programmable
<b>Burden (max)</b>	0.2 VA max per phase 0.5 VA max per phase (shunt type)

### ACCURACY TABLE

Measurement	Accuracy (in %)
Voltage $V_{L-N}$	0.5
Voltage $V_{L-L}$	1
Average Voltage	0.5
Current	2
Average current	2
Frequency	1
Active Power	1
Reactive power	1
Apparent power	1
Power factor & Avg Pf	1

<b>LED / Parameter Indication</b>	LEDs for all measured parameters
<b>Supply Voltage</b>	90 to 270 VAC, (AC : 50 or 60 Hz)
<b>Temperature</b>	Operating: 0 to 50°C Storage: -20 to 75°C
<b>Humidity (non-condensing)</b>	85%
<b>Weight</b>	238 gms

\* Resolution as per CT primary programmed.