

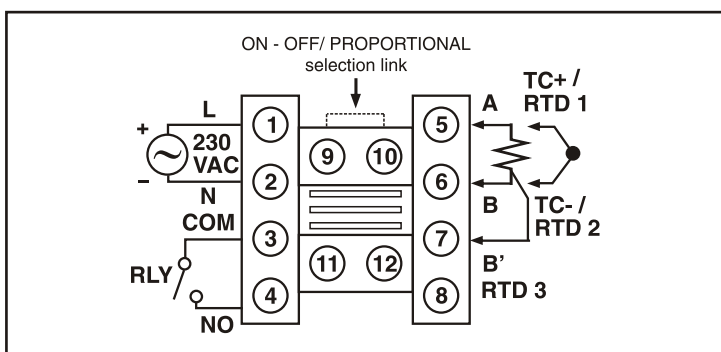


(48 x 48)

### Ordering Information

| Order Code | Range            | Sensor        | Supply  |
|------------|------------------|---------------|---------|
| TC52       | 200 - 0 to 200°C | J / K / PT100 | 230 VAC |
|            | 400 - 0 to 400°C | J / K / PT100 | 230 VAC |

### Terminal Connections



### Technical Specifications

|                                  |  |
|----------------------------------|--|
| <b>Digits</b>                    | Dial setting   |
| <b>LED Indication</b>            | Relay ON, Power ON                                   |
| <b>Input Sensor (Range)</b>      | J (200 or 400) / K (200 or 400) / PT100 (200 or 400) |
| <b>Setpoints</b>                 | 1  |
| <b>Control Modes</b>             | Time proportional & ON-OFF Control                   |
| <b>Accuracy</b>                  | Setting: $\pm 3\%$ Repeat: $\pm 0.5\%$ of F.S.       |
| <b>Outputs</b>                   | 1  |
| <b>Relay Action</b>              | Heat mode  |
| <b>Relay Rating</b>              | 5 A@230 VAC  |
| <b>Supply Voltage</b>            | 230 VAC  |
| <b>Temperature</b>               | Operating: 0 to 50°C<br>Storage: -5 to 50°C          |
| <b>Humidity (non-condensing)</b> | 95% RH   |
| <b>Weight</b>                    | 175 gms  |

### Dimensions (in mm)

