



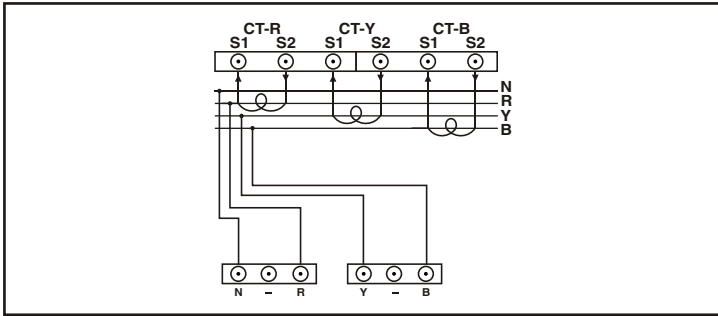
(96 x 96)

LED Voltage, Ampere, Frequency Meter

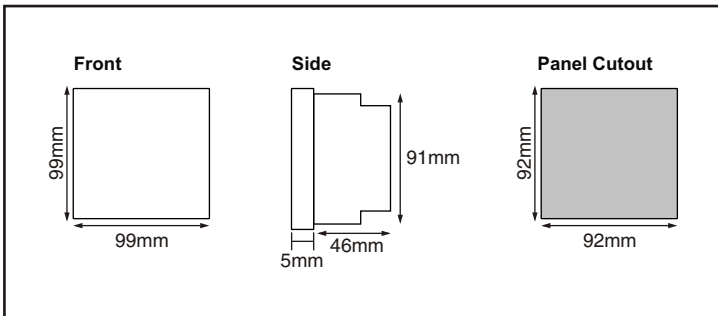
## Ordering Information

VAF39

## Terminal Connections



## Dimensions (in mm)



## Technical Specifications

<b>Display</b>	7 segment LED; Height: 0.5"
<b>Digits</b>	3 rows of 3 digits
<b>Input Type</b>	3 Ø-4 wire & 1 Ø - 2 wire
<b>Rated Input Current</b>	5A max.
<b>Display Scrolling</b>	Auto / manual
<b>Resolution*</b>	0.01, 0.1, 1 (depending on CT Primary)
<b>Frequency</b>	50/60 Hz
<b>CT Primary</b>	5 to 5000 programmable
<b>Burden (max)</b>	0.2 VA max per phase

## ACCURACY TABLE

Parameters	Accuracy
Voltage $V_{L-N}$	$\pm 0.5\%$ of F.S. + $\pm 2$ digit
Voltage $V_{L-L}$	$\pm 0.5\%$ of F.S. + $\pm 2$ digit
Average Voltage $V_{L-N}$	$\pm 0.5\%$ of F.S. + $\pm 2$ digit
Average Voltage $V_{L-L}$	$\pm 0.5\%$ of F.S. + $\pm 2$ digit
Phase current I	$\pm 1\%$ of F.S. + $\pm 2$ digit @50 Hz
Average current $I_{avg}$	$\pm 1\%$ of F.S. + $\pm 2$ digit @50 Hz
Frequency	$\pm 0.1$ Hz

## LED/Parameter Indication

LEDs for all measured parameters

## Supply Voltage

90 to 270 VAC, (AC : 50 or 60 Hz)

## Temperature

Operating: 0 to 50°C  
Storage: -20 to 75°C

## Humidity (non-condensing)

85%

## Weight

210 gms

\* Resolution as per CT primary programmed.

\*\*Accuracy of Class I for current input at 50 Hz.

Accuracy of Class II for current input at 60 Hz.