

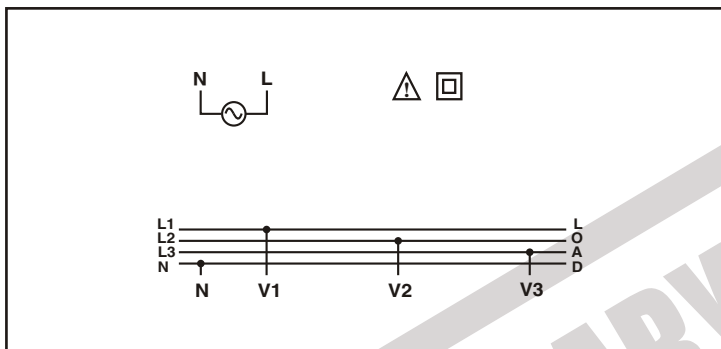


72x72mm

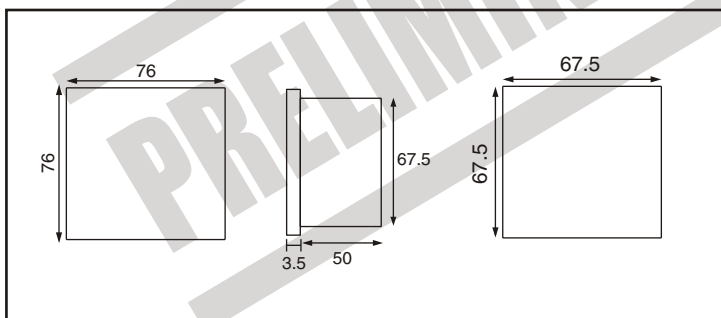
### Ordering Information

MV2307

### Terminal Connections



### Dimensions (in mm)



### FEATURES

- 3 Digit, Liquid Crystal Display
- Analog style bargraph indication
- True RMS measurement
- 3 phase 4 wire electrical connection
- IP protection (Front Plate): IP65

### Technical Specifications

#### PARAMETER

Electrical Connection	3 phase 4 wire
Input Range	0 - 300V AC
Measurement Range	0 - 300V AC
Accuracy	± 0.5% of F.S

#### DISPLAY

Display	3 digit
Overrange Indication	"Or" for input > 300V AC
Display range	0 - 300V
Bargraph	Analog style Bargraph indication

#### GENERAL SPECIFICATION

Auxiliary supply voltage (Vn)	240V AC ± 20%
Supply Frequency	50/60 Hz
Operating temperature	-20 to 60 C
Storage temperature	-30 to 80 C
Humidity (non-condensing)	90% RH
Protection Level	IP65 for faceplate