



DPM 380

Features

LCD display with back lighting
Modbus-RTU communication

Measurement Parameters:

- Phase Voltage (L-N)
- Line Voltage (L-L)
- Phase Current and Neutral Current
- Bidirectional kW (per phase & total)
- Bidirectional kVAR (per phase & total)
- Bidirectional kVA (per phase & total)
- Frequency
- Power Factor (per phase & total)
- Energy (+ and -) for kWh, kVARh and kVAh
- THD Phase Voltage (L-N)
- THD Phase Current

Technical Data

DISPLAY TYPE

LCD display

MEASUREMENTS

3-phase 4-wire system

CURRENT MEASUREMENT (TRMS)

CT primary : 5 ~ 8000 A
CT secondary : 5 A
Minimum measurement : 5 mA
Accuracy : 0.5% from 1A to 6A (secondary)
Sustained overload : 6A

VOLTAGE MEASUREMENT (TRMS)

Direct measurement phase - phase : 35 ~ 520 V AC
Direct measurement phase - neutral : 20 ~ 300 V AC
Accuracy : 0.5%
Sustained overload : 350 V AC (L-N)
: 600 V AC (L-L)

POWER MEASUREMENT

Real power, apparent power, reactive power measurement

Measuring updating period : 1 s
Accuracy : 1.0%

POWER FACTOR MEASUREMENT

Accuracy : 1.0%

FREQUENCY MEASUREMENT

Measurement range : 45 ~ 65 Hz
Measurement updating period : 1 s
Accuracy : 0.5%

ENERGY ACCURACY

Active (according to IEC 62053-21) : class 1
Reactive (according to IEC 62053-23) : class 2

AUXILIARY POWER SUPPLY

AC voltage : 90 ~ 415 V AC
Frequency : 50 / 60 Hz
DC voltage : 100 ~ 300 V DC
Power consumption : <3 VA

COMMUNICATION

Hardware interface : Isolated RS485
Protocol : Modbus-RTU
Baud rate : 2400, 4800, 9600, 19200, 38400

OPERATING CONDITIONS

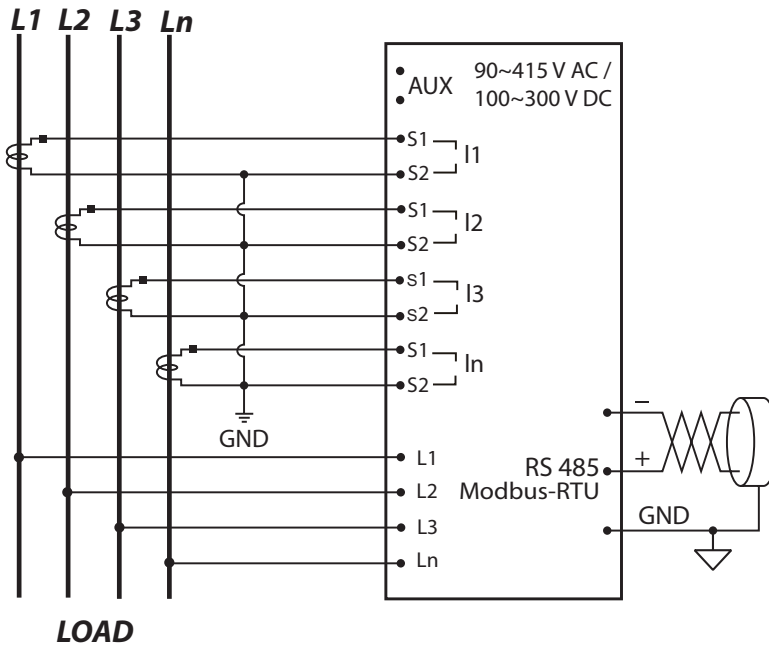
Operating temperature : -10°C ~ +55°C
Storage Temperature : -20°C ~ +70°C

MECHANICAL

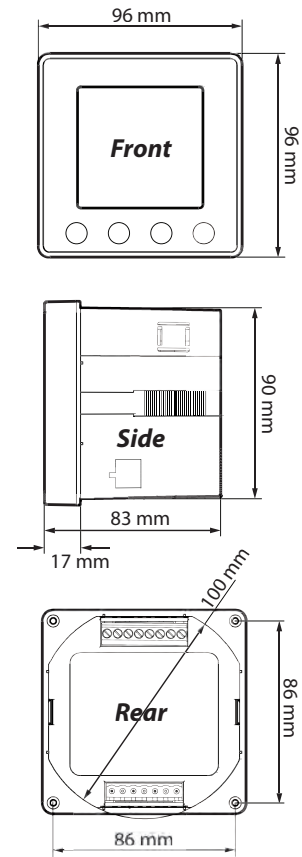
Mounting : Panel mounting
Approximate weight : 400g

Typical Application Diagram

3-PHASE 4-WIRE SYSTEM



Case Dimensions



Electromagnetic Compatibility (EMC)

Part 6-2: Generic Standards IEC61000-6-2

Immunity for industrial environments.

Part 6-4: Generic Standards IEC61000-6-4

Emission standard for industrial environments.

Ordering Information

MODEL	DESCRIPTION
DPM 380-415AD	Auxiliary Voltage 90 ~ 415 V AC or 100 ~ 300 V DC

Cut-Out Recommendations

